



FY WG2 3 Axis Wearable Gimbal

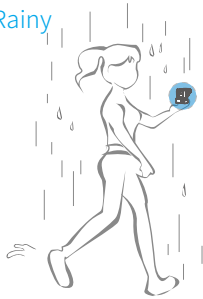
Compatible with GoPro HERO5 / GoPro HERO4 / Session
and cameras with similar dimensions

Guilin FeiYu Technology Incorporated Company

Instruction Manual EN V 1.1

⚠ Usage Scenario Demonstration

1 Rainy



2 Drift



3 Swimming



Guidelines For Usage

WG2 has precision machinery transmission mechanism, water proof design can completely use in raining and water splash scene, it can be used in the water under certain conditions, please follow the requirements below when use in the water, otherwise, there are risks of damage.

1. Please ensure the usb plug has been covered before using underwater, dry it and place in a ventilated place to dry before charging.
2. When use under water, depth of water should be less than 0.5m, and time of continuous use less than 5mins.



3. Used in sea water environment at risk of damage that is not recommended.

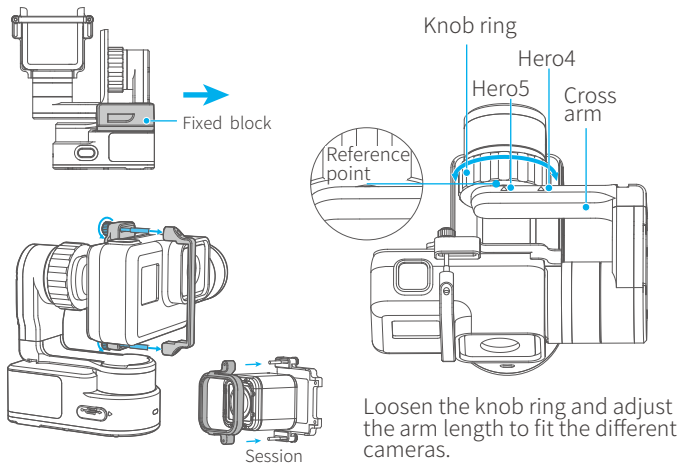
4. When it is splashed by sea water, please wash it with fresh water immediately, and soak it in fresh water for 3mins, otherwise, the rotation of gimbal will be blocked by the salt crystals after the sea water dried.


※It is normal phenomenon if there is a small amount of liquid flow from gimbal or the gimbal is smelly, the liquid is waterproof paint, a few pungent smells.

User Guide

1 Install the Camera

Remove fixed block, install the camera on retainer plate, then fix the camera with retainer bar and screws.



 **Attention!**

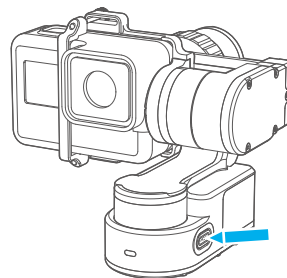
- (1) Please install the camera before powering on the gimbal.
- (2) When not in use, turn off the gimbal and then remove the camera.


2 Power on / off

Attention: Make sure the camera is secure before powering on the gimbal.

Power On: Press and hold function button until the green light is on.

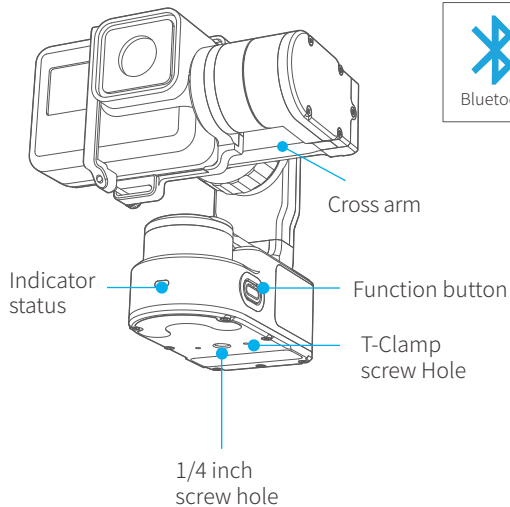
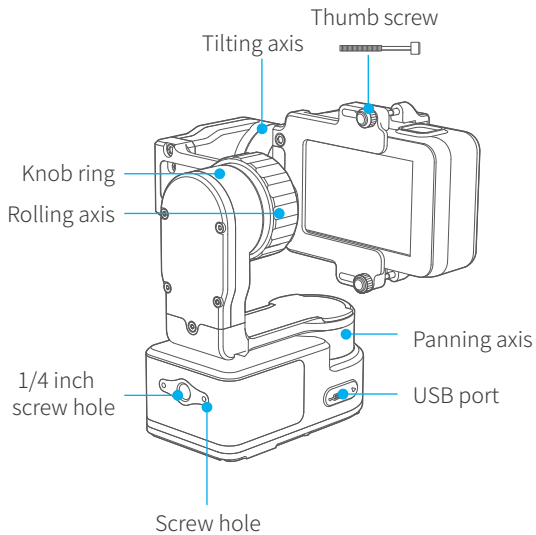
Power Off: Press and hold function button until the red light changes from quick flashing to always on.



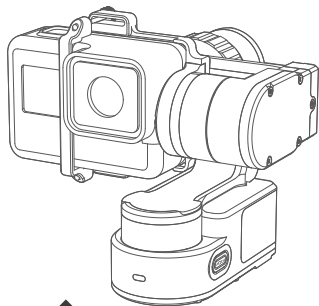
 In case of low battery, the red LED indicator flashes for three times for every 5 seconds. Please charge WG2.

Product Overview

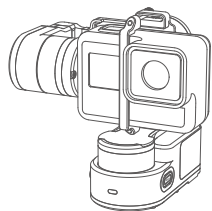
* The showing sports camera is only for reference



Vertical

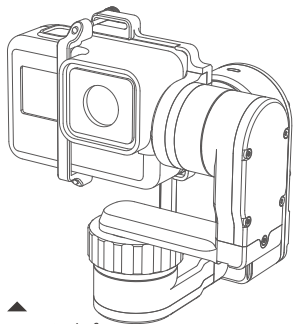


▲ Camera in left

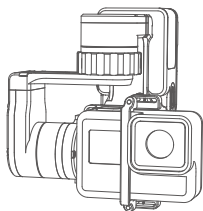


▼ Camera in right

Forward

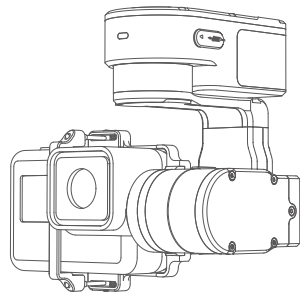


▲ Camera in left

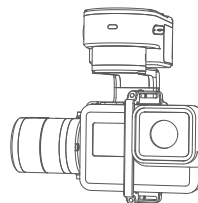


▼ Camera in right

Inverted



▲ Camera in left



▼ Camera in right

App download and connect

1 Download App



Feiyu ON



Please download Feiyu ON at your smartphone app store or can the QR code below.

* Requires iOS 9.0 or later, Android 6.0 or later.



iOS Version

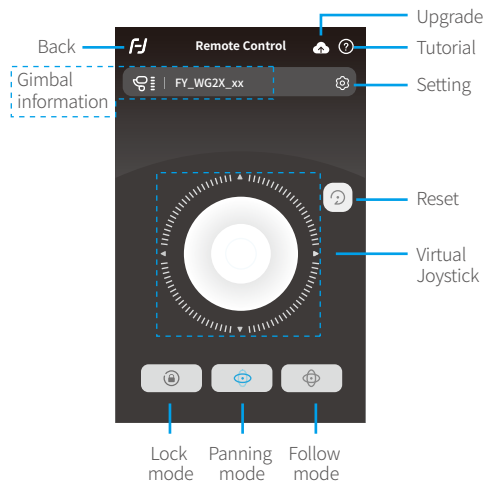


Android Version

2 Connecting App

- (1) Power on the gimbal.
- (2) On smartphone, enable bluetooth and open Feiyu ON App. Login or register, follow instruction and connect to the gimbal.

Once the connection is successful, the gimbal can be controlled on the App, including remote direction, switching mode, setting parameters and etc.



Mode /Function

Panning Mode

Tilting and rolling direction are fixed, and the camera lens moves according to the hand movement of the user.

Panning and Tilting Mode

The rolling direction is fixed, and the camera lens moves according to the hand movement of the user.

Lock Mode

The orientation of the camera is fixed.

Reset

Reset the tilting axis of the gimbal to initial orientation and initial mode.

Indicator Status

Mode / Status

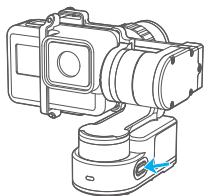
Blue light flashes once	Panning
Blue light flashes twice	Panning and tilting mode
Blue light on steadily	Lock mode / Initializing
Blue light keeps flashing	Initialization failure / Malfunction
Red light flashes three times	Low battery
Red light keeps flashing	Turning off

Mode /Function Operation Instructions

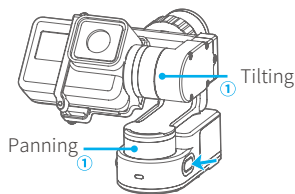
Function Button	Mode /Function	Explanation
Single tap	Panning Mode / Lock Mode	Single tap to switch between panning mode and lock mode
Double tap	Panning and tilting mode	When in panning and tilting mode, press once to switch to lock mode
Triple tap	Rotate 180° in horizontal	Make the camera lens rotate 180 °
Quadruple tap	Autorotation Mode	Quadruple tap to enter autototation mode
Fifth tap	Initialization	Single tap again to awake the gimbal, or triple tap to initialize the gimbal

Autorotation Mode

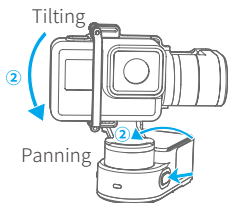
Four times clicks on function button, gimbal will access the autorotation mode setting. Manually turn the gimbal to an initial position, then click again on function button for recording it. Manually turn the gimbal to end position, then click the function button again for recording it. Gimbal will turn to the initial position and begin autorotation.



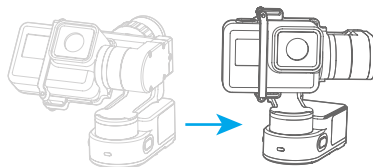
1. Four times clicks on function button, gimbal will access the autorotation mode setting.



2. Turn the panning axis and tilting axis to the position ① and hold for half a second. Click on function button, record the position ①.



3. Turn the panning axis and tilting axis to the position ② and hold for half a second. Click on the function button again, record the position ②.



4. Gimbal will recover to position ① automatically. Tilting axis and panning axis turn to position ② at constant speed. The gimbal is automatically reset after the end.

Combined use of gimbal autorotation function and motion camera time-lapse photography function will make the camera achieve the excellent effect of time-lapse photography. Theoretical time and gimbal autorotation speed adaptation effect is better, Feiyu ON APP can set the autorotation speed.

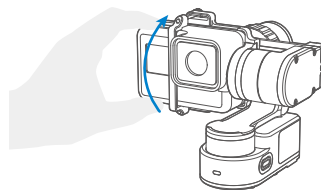
Annexed parameter table:
Gimbal speed setting and theory time adaptation reference table.

WG2 speed setting	WG2 theory time
1	8 hours / turn
2	4 hours / turn
3	2 hours / turn
4 (default)	1 hours / turn (default)
5	30 minutes / turn
6	15 minutes / turn
7	8 minutes / turn
8	4 minutes / turn
9	2 minutes / turn
10	1 minutes / turn
11	30 seconds / turn
12	15 seconds / turn

Manual Lock

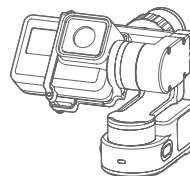
Manual lock , pull to the specified angle to stay half a second can be lock the current angle. (The tilting axis and panning axis in the lock mode can be manual lock and the tilting axis can be manual lock in the panning mode.) Take the tilting axis as an example:

1



Hold the camera and change its angle in tilting axis direction.

2

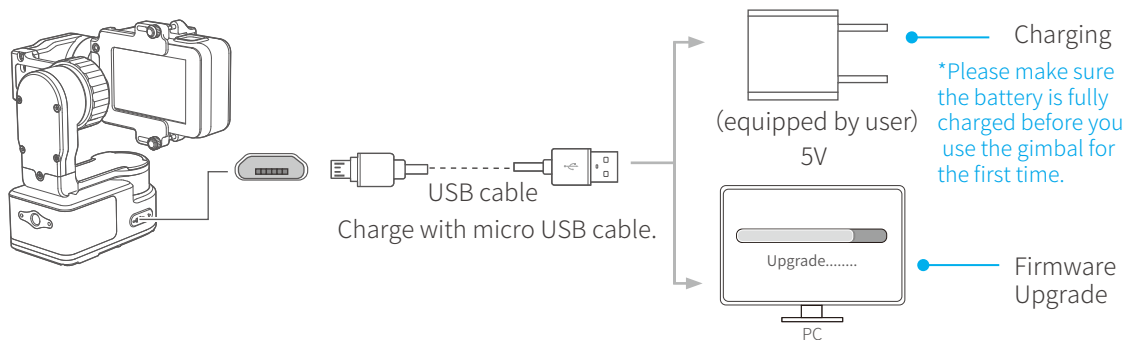


Keep this position for half second, the current angle will be locked manually.

Firmware Upgrade

(1) Option 1: connect the gimbal with PC via micro USB cable, and then upgrade the firmware.

Please visit the official website www.feiyu-tech.com to download the relevant software for upgrading, including USB driver, firmware upgrade software and product firmware, and install the relevant software, decompress the firmware files .



(2) Option 2: connect the gimbal with smartphone via bluetooth, and then upgrade the firmware.



Feiyu ON



- 1) Click the icon
- 2) Follow the prompts to upgrade the firmware.

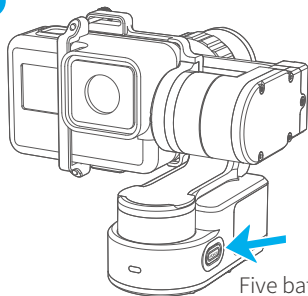
Gimbal initialization

You can initialize your gimbal:

- (1) when camera is not level
- (2) if not used for a long period of time
- (3) in case of extreme temperature variations

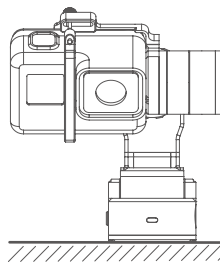
Adjusting steps:

1



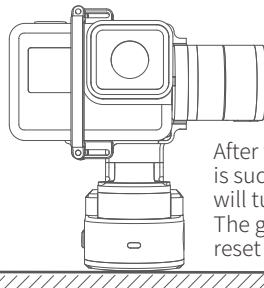
Five batter function button,
the motor is turned off.

2



Still placed on the
desktop, gimbal is
automatically
initialized.

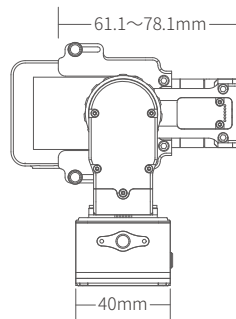
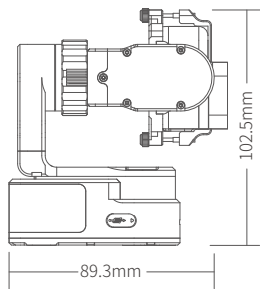
3



After the initialization
is successful, the motor
will turn on
automatically.
The gimbal is
automatically
reset after the end.

Note: If the initialization is not successful for a long time, long press the function button to turn off the gimbal, restart it and then initialize.

Parameters



Titling Angle

360°

Rolling Angle

70°

Panning Angle

360°

Titling Increments

min 1.5°/s max 150°/s

Panning Increments

min 1.5°/s max 270°/s

Weight

265 g (Not including camera)

Usage time

2.5 Hours

Adaption Weight

130 g

DISCLAIMER

Prohibit any user for any illegal purpose. Users will be responsible for all behaviors of purchase and use products.

The Company assumes no liability for any risks related to or resulting from the debug and use of this product (including the direct, indirect or third-party losses).

For any unknown sources of using, we will not be at any services.

The updating and changes of product firmware and program may cause changes in function descriptions in this user manual, please read the instructions carefully before upgrading the firmware and use the corresponding user manual.

You can get the latest user manual from the official website: www.feiyu-tech.com

FeiyuTech reserves the right to amend this manual and the terms and conditions of use the product at any time.

- Attention**
- Please correctly assemble the gimbal in accordance with the diagram
 - Please install the camera before powering on the gimbal
 - When the gimbal is not in use or placed on the table, please ensure it is powered off

GuiLin FeiYu Technology Incorporated Company

Website: www.feiyu-tech.com **E-mail:** service@feiyu-tech.com **Tel:** +86 (0)773 2320866

Due to software and hardware improvements, your actual product might differ from the descriptions and pictures in this user manual. You can get the latest user manual from the official website.

For more information, please visit our official website

