

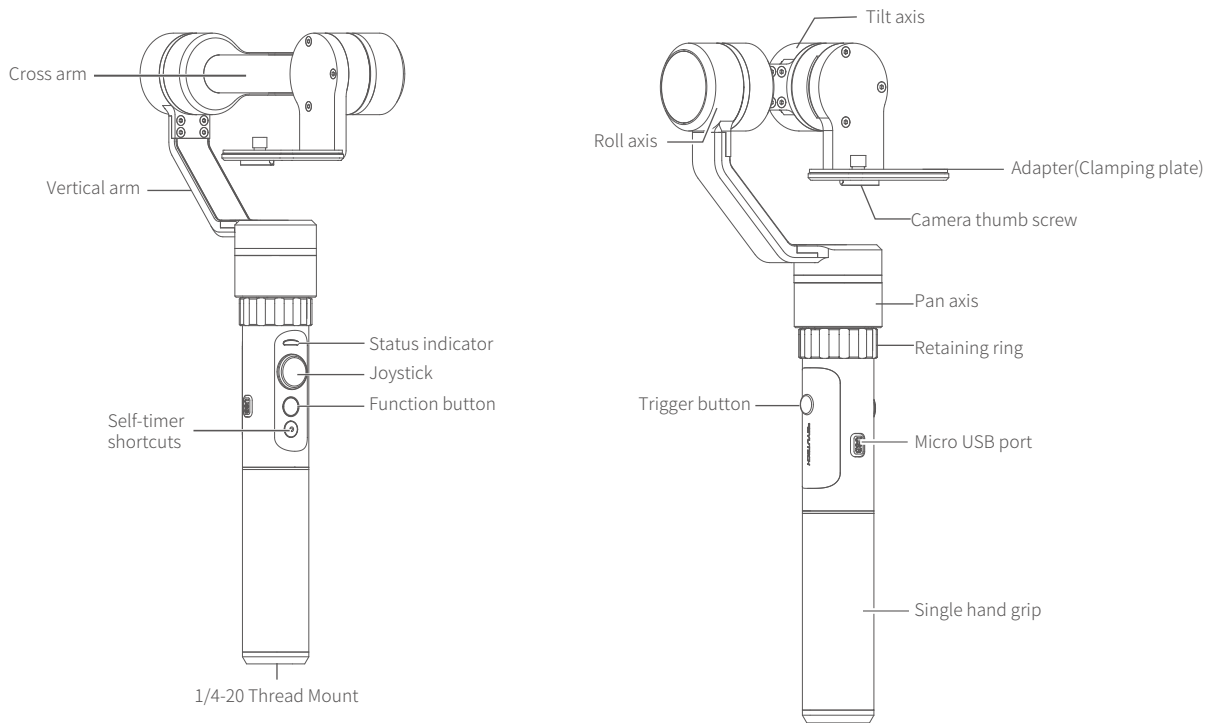


3-Axis Gimbal for Sony Camera

Guilin Feiyu Technology Incorporated Company

User Manual EN V1.2

1. Product Overview



Included items



Micro USB cable



1/4 thumb screw



22650 Li-ion battery

Dual-hand grip accessories



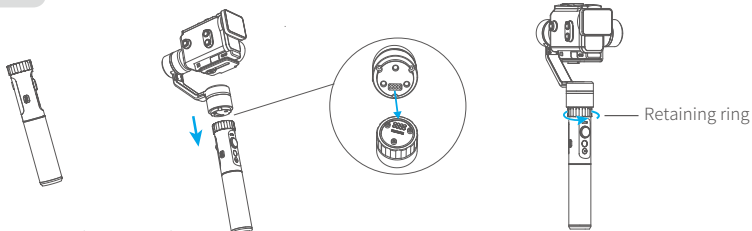
Cold shoe mount



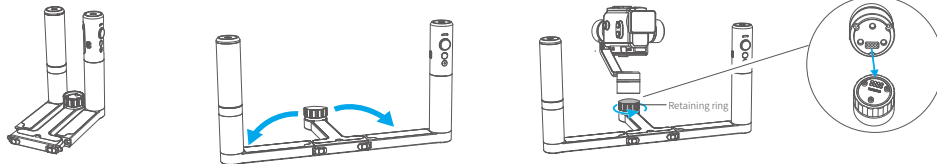
1/4-20 Inch screw

Hand grip installation

Single hand grip



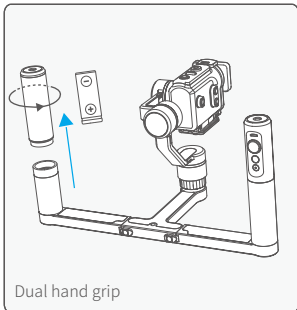
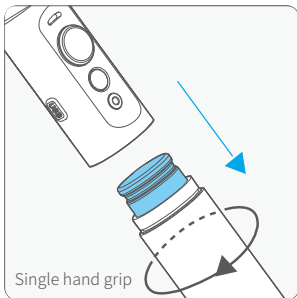
Dual-hand grip foldable set (Optional)



2. User Guide

1 Insert battery

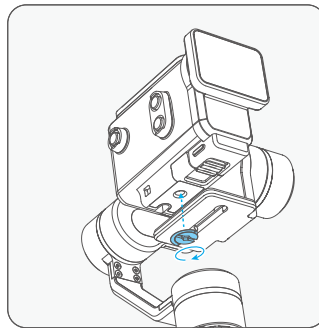
Remove the hand grip and insert the provided 22650 battery.



2 Install the Sony camera

Tips: you need to install the waterproof shell before you can perform the following steps

Place the camera correctly on the clamping plate and attach the tilt axis, use the camera thumb screw to secure the camera through the middle chute at the bottom of clamping plate.



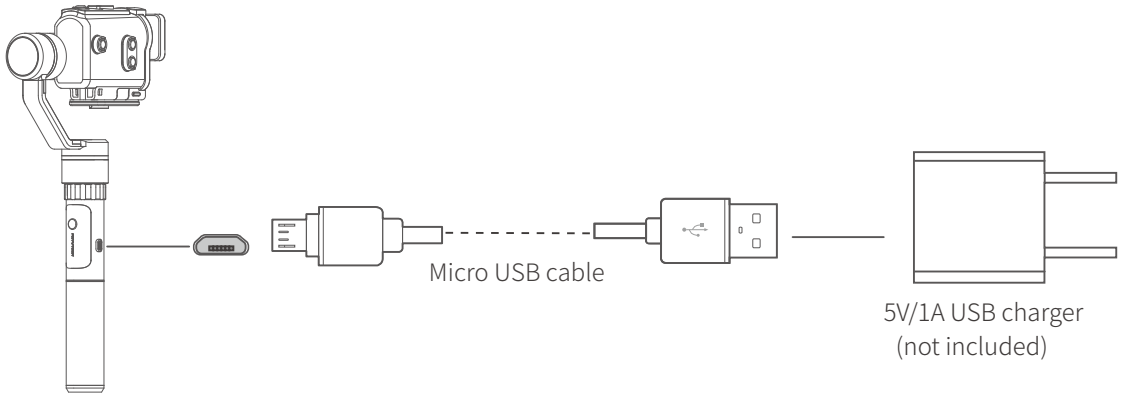
⚠ Attention !

- (1) Please install the camera before powering on the gimbal.
- (2) When not in use, turn off the gimbal and then remove the camera.

3 Gimbal charging

* Please fully charge the battery before powering on the gimbal for the first time.

Option 1: charging with micro USB cable.

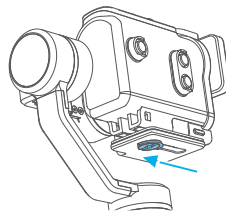
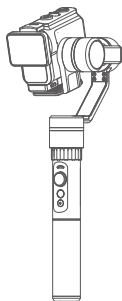


Option 2: remove the battery and charge in external charger (not included).

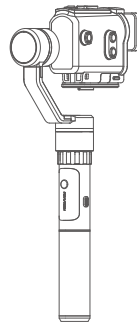
4 Balance the gimbal

How to balance gimbal

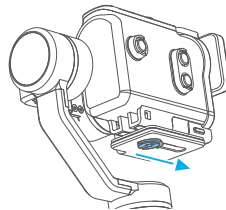
If the camera is tilted to the left, then loose camera thumb screw, move the camera to the right, try to adjust to the best balance, and then tighten the camera thumb screw .



Best balance



If the camera is tilted to the right, then loose camera thumb screw, move the camera to the left, try to adjust to the best balance, and then tighten the camera thumb screw.



5 Power on / off

Power on: press and hold the function button until the status indicator turns green and gimbal beeps.

Power off: press and hold the function button until the status indicator changes from a flashing red to a solid red light and gimbal beeps.

▲ **Attention:** make sure the camera is secure before powering on the gimbal.

3. Functions Modes

Instructions of button

Function button	Function	Explanation
Single click	Pan mode	Default mode
Double clicks	Follow mode	In the follow mode, the joystick is pushed to the left / right to push and control the angle is $-25^{\circ} \sim +25^{\circ}$
Triple clicks	Selfie mode	Camera pans around 180° so that its main camera faces user
Four clicks	Motion Control mode	Both the panning and tilting directions can be rotated
Five clicks	Initialization	After the initialization succeeds or fails, you can click the function button to wake up the gimbal

Trigger button	Function	Explanation
Press & Hold	Temporary Lock	In the pan mode or follow mode, holding the trigger button temporarily locks panning and tilting until released
Double clicks	Reset to default	Centers the camera away from the user on all 3 axes (pan, tilt and roll) and switches back to the default pan mode

Note:the firmware upgrade may occur manual operation function and the actual product features do not match, please get the latest version manual on the official website.

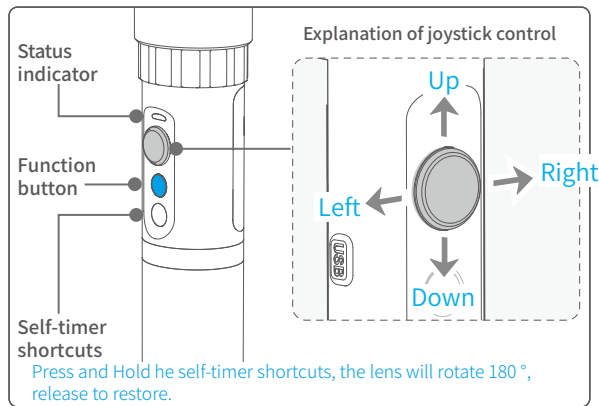
Explanation of indicator status

The current mode of the gimbal can be identified by the indicator status.

Indicator status	Mode / Status
Blue light flashes once	Pan mode
Blue light flashes twice	Follow mode
Blue light constant on	Lock mode / Gimbal initializing
Blue light keeps flashing	Initialization failure / Malfunction
Red light flashes three times	Low power
Red light keeps flashing	Gimbal powering off



When battery is low, the status indicator will blink red three times every 5 seconds. Please charge gimbal or replace the battery.



Modes

Pan mode (Default mode)

The rolling and tilting direction are fixed, and the camera moves according to the hand movement direction of the user.

Follow mode

The rolling direction is fixed, and the camera moves according to the hand movement direction of the user.

Lock mode

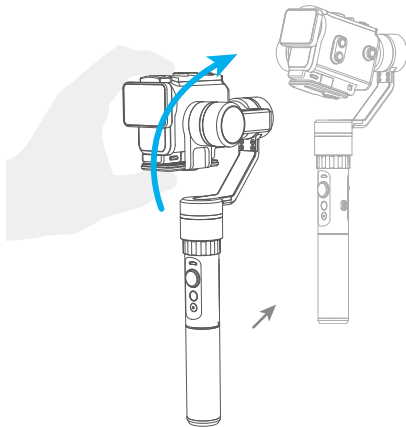
The orientation of the camera is fixed.

Reset

Return to pan mode, all to return to default.

Manual Lock

Camera can be manually positioned while lock mode , follow mode or pan mode. both the pan and tilt can be manually set.



Manually move camera to desired position, and hold for half a second. New tilt and/or pan positions are automatically saved.

Motion Control Mode

The G5 GS gimbal can easily create constant speed moves by using the motion control mode. This mode can be used for recording both regular video and timelapse photography. For best results, attach gimbal to the FeiyuTech tripod, or other tripod, to keep it completely still.

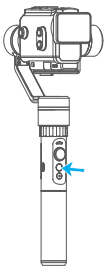
1. Set motion speed in Feiyu ON App

To set the motion speed, connect to the Feiyu ON App and select desired speed from the motion control option in the settings menu.

Motion Control speed reference table

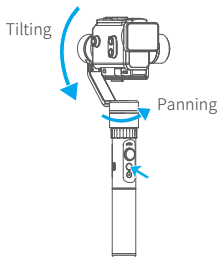
G5 GS Rotation speed
12 seconds / turn
18 seconds / turn
24 seconds / turn
30 seconds / turn
1 minute / turn
2 minutes / turn
4 minutes / turn
8 minutes / turn
15 minutes / turn
30 minutes / turn
1 hour / turn (default)
4 hours / turn
8 hours / turn

2. Enter motion control mode by clicking the function button 4 times



4. Set rotation end position

Record the second position (rotation end position) by manually moving camera to desired position. Hold in position for half a second. Click the function button to record rotation end position.

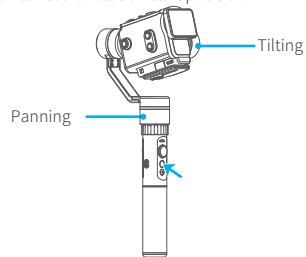


Exit operations:

1. Gimbal automatically exits motion control mode once move completes.
2. Click the function button to exit the motion control mode during automatic rotation and reset the gimbal.
3. Enter the motion control mode or motion control setting, double click the trigger button to exit the motion control mode and reset the gimbal.

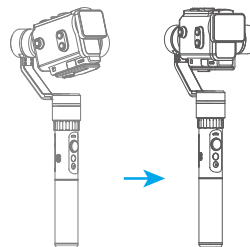
3. Set rotation start position

Record the first position (rotation start position) by manually moving camera to desired position. Hold in position for half a second. Click the function button to record rotation start position.



5. The gimbal is motion control from rotation start position to rotation end position

Gimbal will automatically move back to rotation start position and start moving to rotation end position at a constant speed as determined by user in the Feiyu ON App.



4. Download and connect App

1 Download " Feiyu ON " and install it.

Please download Feiyu ON at your smartphone app store or can the QR code below.

* Requires iOS 9.0 or later, Android 6.0 or later.



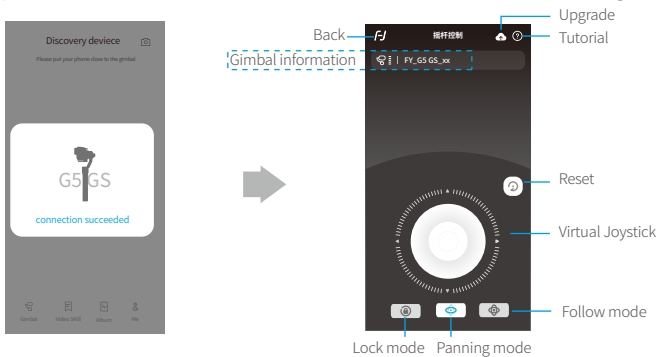
iOS Version



Android Version

2 Connecting App

Start the App on your camera, follow the instructions to connect the camera with gimbal via bluetooth.



5. Firmware Upgrade

Upgrade the firmware through the Feiyu ON App.

(1) Click the icon 

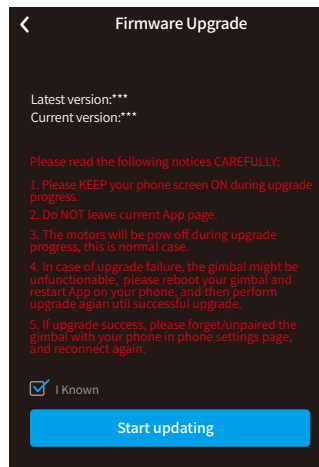
(2) Select upgrade type.

(3) Follow the prompts to upgrade the firmware.

Upgrade type introductions:

Gimbal update: Repair / update or newly add gimbal control / function / parameter and etc.

Keyboard update: Repair / update or newly add button/touch screen/interaction functions, update more compatibility cameras which can be controlled through WIFI, repair few bugs about camera control through WIFI, and etc.

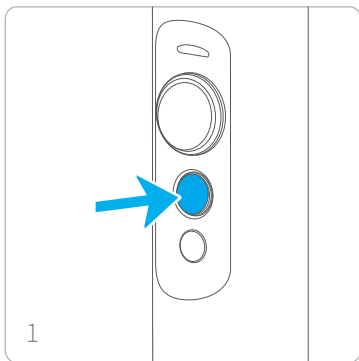


6. Gimbal Initialization

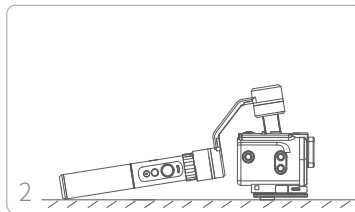
You can initialize your gimbal when:

- (1) Camera fails to remain level.
- (2) Gimbal has not been used for a long period of time.
- (3) Gimbal is used in extreme temperature variations.

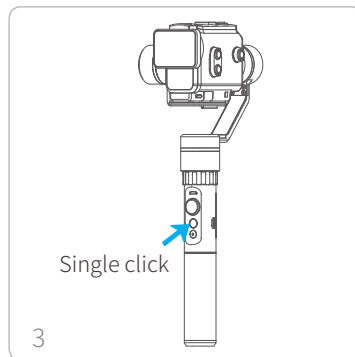
Instructions:



Click the function button five times. The motors will stop working. Status indicator turns solid blue.



Place the gimbal on a flat, horizontal surface. The gimbal will automatically initialize after a few seconds detecting no movement. The blue light will flash three times to indicate end of initialization.

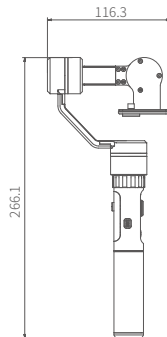


After the initialization is successful, click the function button to wake up.

Note: if the initialization is not successful, click the function button to wake up. restart initialization process.

7. Technical Specifications

(Unit:mm)



Max. Tilting Range	No limit
Max. Rolling Range	+/- 160°
Max. Panning Range	No limit
Tilting speed	Min: 2°/s - Max: 75°/s
Panning speed	Min: 3°/s - Max: 150°/s
Operation time	7 Hours
Adaption camera and mobile camera width range	AS50 sony camera and 130 ~ 200g sony camera
Weight	314g (Not including battery and camera)

DISCLAIMER

Any user for illegal purpose prohibited. Users are responsible for use products.

The company assumes no liability for any risks related to or resulting from the debug and use of this product (including direct, indirect or third-party losses).

For any unknown sources of using, we will not be at any services.

Updating and changes of product firmware and program me may cause changes in function descriptions in this user manual, please read the instructions carefully before upgrading the firmware and use the corresponding user manual.

You can get the latest user manual from the official website: www.feiyu-tech.com

FeiyuTech reserves the right to amend this manual and the terms and conditions of use the gimbal at any time.

Attention

- Please correctly assemble the gimbal in accordance with the diagram.
- Please install the camera before turning on the gimbal.
- When the gimbal is not in use or placed on the table, please ensure it is powered off.

Guilin Feiyu Technology Incorporated Company

Website: www.feiyu-tech.com

E-mail: service@feiyu-tech.com

Tel: +86 (0)773 2320866

Due to software and hardware improvements, your actual product might differ from the descriptions and pictures in this user manual. You can get the latest user manual from the official website.

For more information, please visit our official website

